

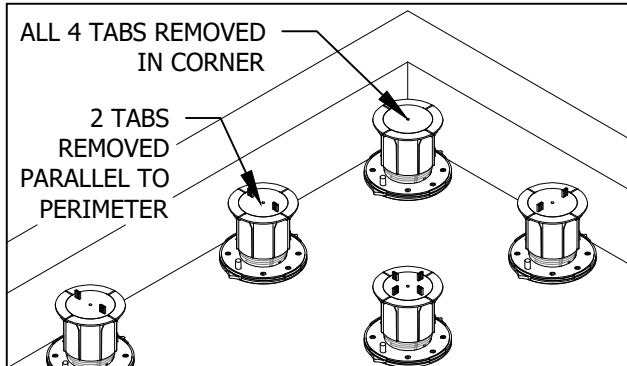


**BISON** Innovative Products

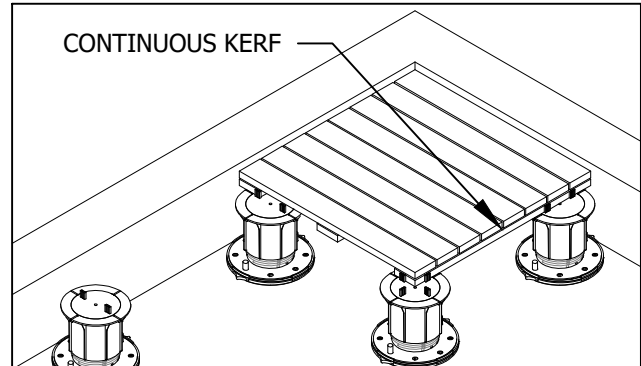
Get CEU Credits, Details, & Specifications online at [www.bisonip.com](http://www.bisonip.com)

WOOD TILES

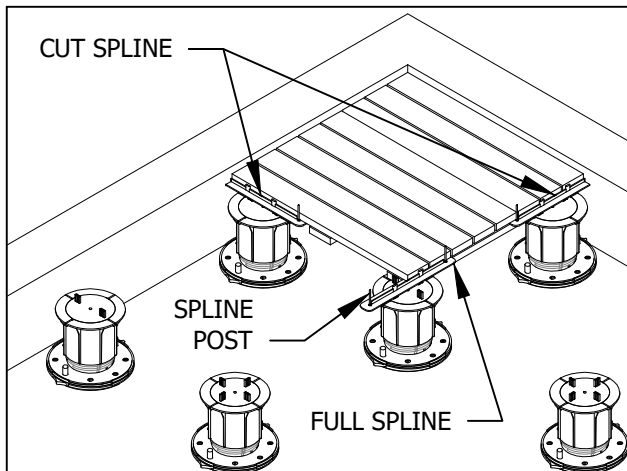
701 Osage Street, Unit 120, Denver, CO 80204 USA  
 Phone 303.892.0400 Toll Free 800.333.4234 Fax 303.825.5988  
 EMail [info@bisonip.com](mailto:info@bisonip.com) Web [www.bisonip.com](http://www.bisonip.com)



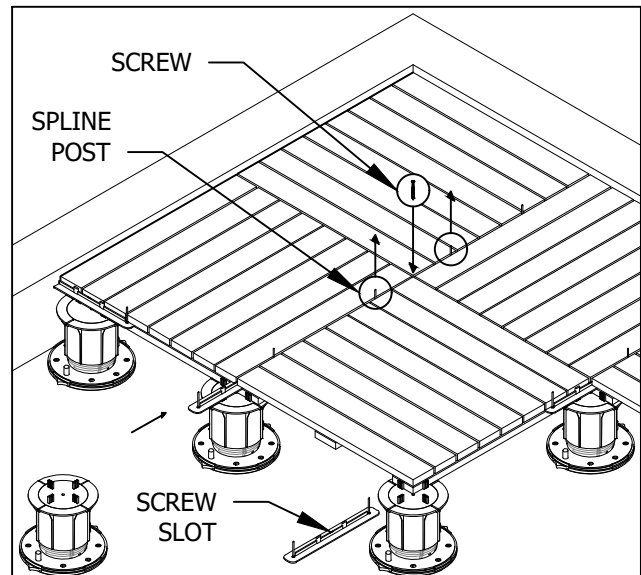
1. PLACE PEDESTALS AROUND PERIMETER AND REMOVE TABS AS NECESSARY.



2. PLACE BISON WOOD TILE ON TOP OF PEDESTALS.



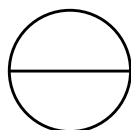
3. USING THE SPLINE POSTS, SLIDE FS-12 SPLINES INTO WOOD TILE KERF OVER PEDESTALS. PERIMETER SPLINES SHOULD BE CUT DOWN WITH A SAW AS NEEDED IN ORDER TO CENTER OVER EACH PEDESTAL.



4. SCREW SPLINES INTO CENTER OF PEDESTAL TOPS, AND REMOVE POSTS WITH PLIERS, TAKING CARE NOT TO DAMAGE THE WOOD TILES. (DO NOT ATTEMPT TO HAMMER THE POSTS)

**GENERAL NOTES: APPLY TO ALL OF THE ABOVE PRODUCTS**

1. INSTALLATION MUST BE COMPLETED IN ACCORDANCE WITH BISON INNOVATIVE PRODUCTS SPECIFICATIONS.
2. DRAWINGS NOT TO SCALE.
3. CONTRACTOR'S NOTE: FOR PRODUCT AND COMPANY INFORMATION VISIT [www.BisonIP.com](http://www.BisonIP.com)



## FS-12-WT SPLINE INSTALLATION

INSTALLING FS-12-WT SPLINES WITH WOOD TILES