

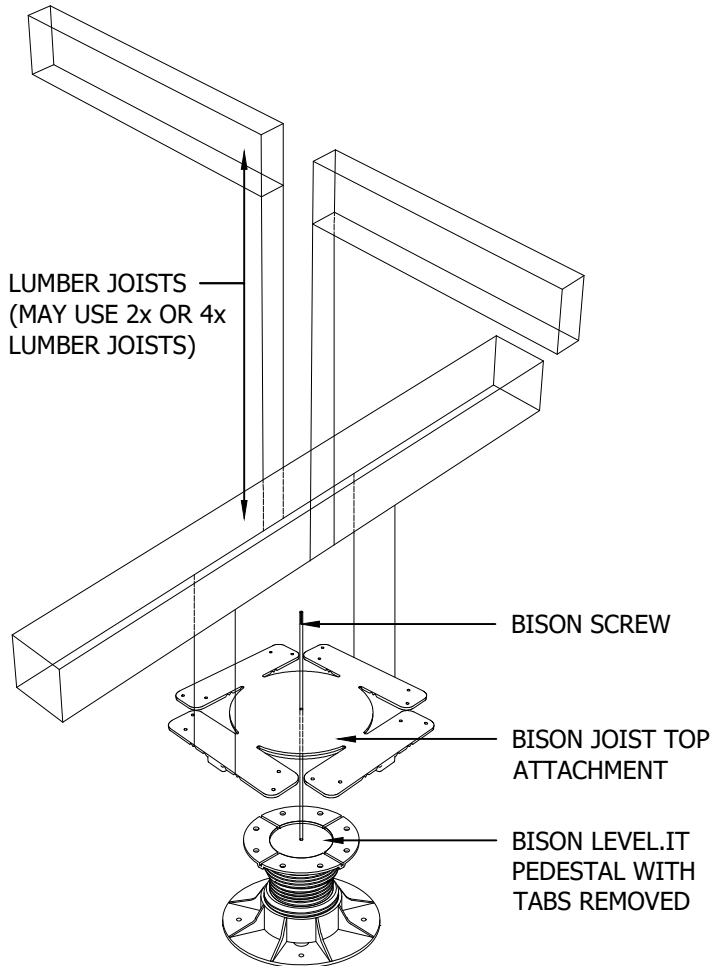


BISON Innovative Products

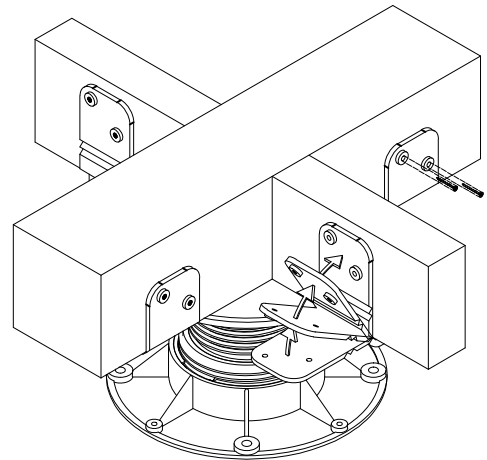
Get CEU Credits, Details, & Specifications online at www.bisonip.com

701 Osage Street, Unit 120, Denver, CO 80204 USA
Phone 303.892.0400 Toll Free 800.333.4234 Fax 303.825.5988
EMail info@bisonip.com Web www.bisonip.com

LEVEL.IT
Adjustable Pedestals



1. REMOVE TABS FROM BISON LEVEL.IT PEDESTAL
2. PLACE BISON JOIST TOP ATTACHMENT ON TOP OF PEDESTAL
3. SCREW JOIST TOP ATTACHMENT INTO PEDESTAL USING BISON PROVIDED SCREW
4. PLACE LUMBER JOISTS (2x OR 4x) ON TOP OF BISON JOIST TOP
5. FOLD JOIST TOP FLAPS UP TO MEET LUMBER JOISTS
6. MECHANICALLY FASTEN FLAPS TO LUMBER JOISTS WITH #8 DECK SCREWS



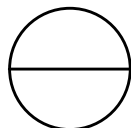
WHEN UTILIZING BISON JOIST TOPS FOR SUBSTRUCTURE FRAME CONSTRUCTION BE SURE ALL ELEMENTS OF THE SYSTEM HAVE BEEN DESIGNED IN ACCORDANCE WITH ACCEPTED ENGINEERING PRACTICE AND PROVISIONS OF THE PRESIDING BUILDING CODE.

CONSIDERATIONS INCLUDE, BUT ARE NOT LIMITED TO:

- POINT LOADING PEDESTALS
- ROOF INSULATION / MEMBRANE BEARING CAPACITY
- LIVE / DEAD LOADS
- JOIST SPAN LENGTH
- JOIST HANGER CAPACITY

GENERAL NOTES: APPLY TO ALL OF THE ABOVE PRODUCTS

1. INSTALLATION MUST BE COMPLETED IN ACCORDANCE WITH BISON INNOVATIVE PRODUCTS SPECIFICATIONS.
2. DRAWINGS NOT TO SCALE.
3. CONTRACTOR'S NOTE: FOR PRODUCT AND COMPANY INFORMATION VISIT www.BisonIP.com



JOIST TOP

INSTALLATION INSTRUCTIONS