



BISON Innovative Products

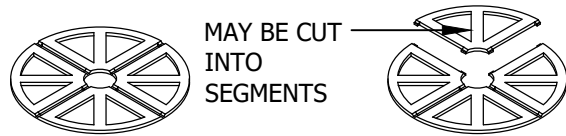
Get CEU Credits, Details, & Specifications online at www.bisonip.com

701 Osage Street, Unit 120, Denver, CO 80204 USA
Phone 303.892.0400 Toll Free 800.333.4234 Fax 303.825.5988
EMail info@bisonip.com Web www.bisonip.com

LEVEL.IT

Adjustable Pedestals

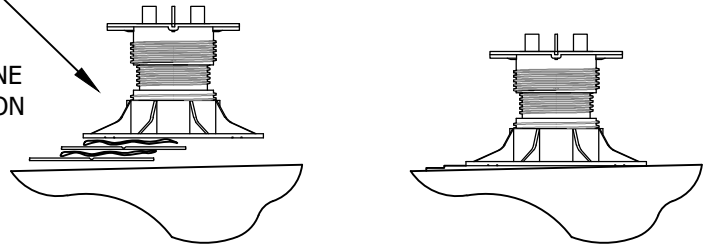
A PS1 SHIM MAY BE PLACED ABOVE OR BELOW EACH PEDESTAL. PS1s MAY BE USED WHOLE OR CUT INTO SEGMENTS FOR SHIMMING AND MINOR LEVELING.



PS1 DETAIL

PLACE PS1 SHIMS, WHOLE OR IN SEGMENTS, UNDER EACH PEDESTAL IN A STAIR STEP FASHION TO COMPENSATE FOR SLOPING SUBSTRATES. USE NO MORE THAN 2 SHIMS, AND ADHERE THEM TO EACH OTHER AND TO THE PEDESTAL WITH CONSTRUCTION ADHESIVE.

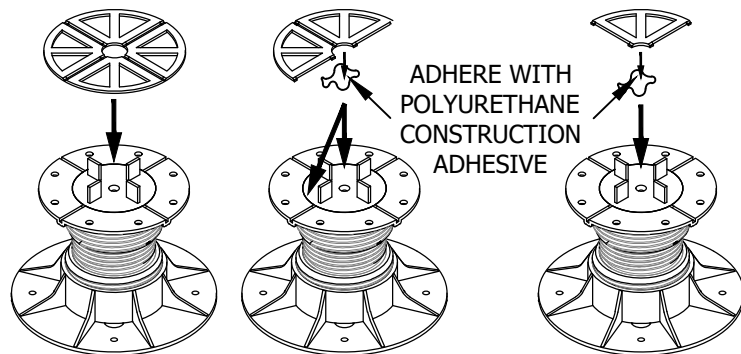
ADHERE SHIMS IN PLACE WITH POLYURETHANE CONSTRUCTION ADHESIVE



DO NOT ADHERE TO SUBSTRATE

PS1s UNDER LEVEL.IT

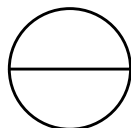
PS1 SHIMS MAY BE PLACED ON TOP OF PEDESTALS FOR MINOR LEVELING OF PAVERS WITH THICKNESS VARIATIONS. USE NO MORE THAN 2 SHIMS.



PS1s OVER LEVEL.IT

GENERAL NOTES: APPLY TO ALL OF THE ABOVE PRODUCTS

1. INSTALLATION MUST BE COMPLETED IN ACCORDANCE WITH BISON INNOVATIVE PRODUCTS SPECIFICATIONS.
2. DRAWINGS NOT TO SCALE.
3. CONTRACTOR'S NOTE: FOR PRODUCT AND COMPANY INFORMATION VISIT www.BisonIP.com



PS1 SHIM INSTALLATION

1/8" RIGID SHIM