

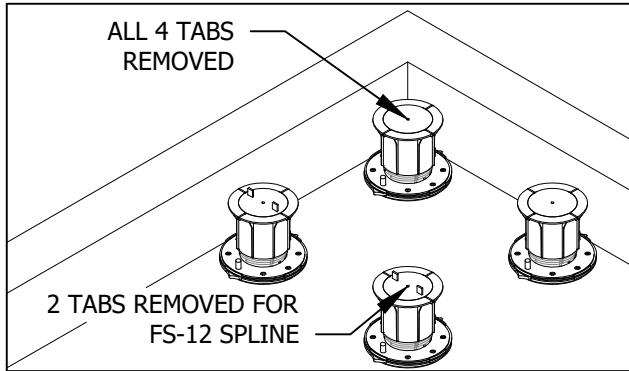


**BISON** Innovative Products

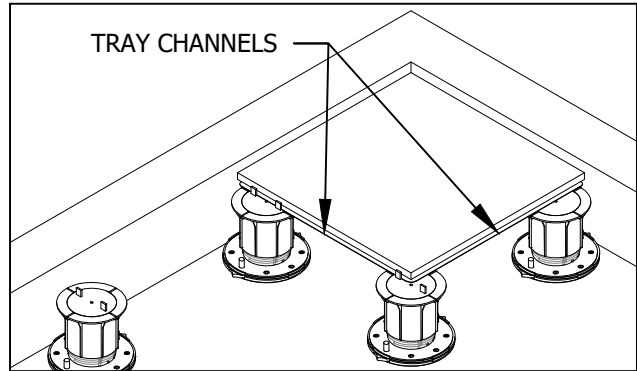
Get CEU Credits, Details, & Specifications online at [www.bisonip.com](http://www.bisonip.com)

701 Osage Street, Unit 120, Denver, CO 80204 USA  
Phone 303.892.0400 Toll Free 800.333.4234 Fax 303.825.5988  
EMail [info@bisonip.com](mailto:info@bisonip.com) Web [www.bisonip.com](http://www.bisonip.com)

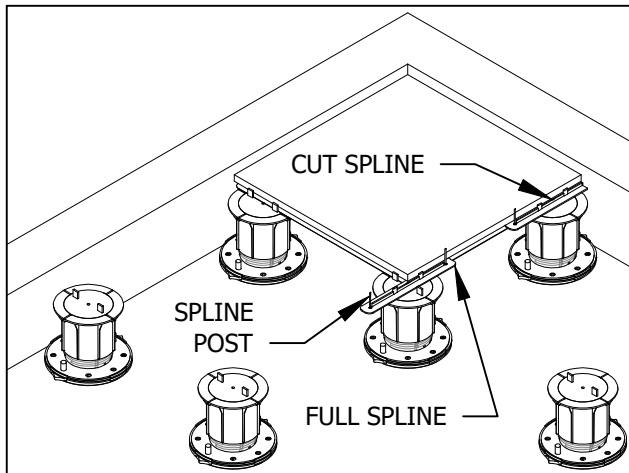
**VERSADJUST**  
Adjustable Pedestals



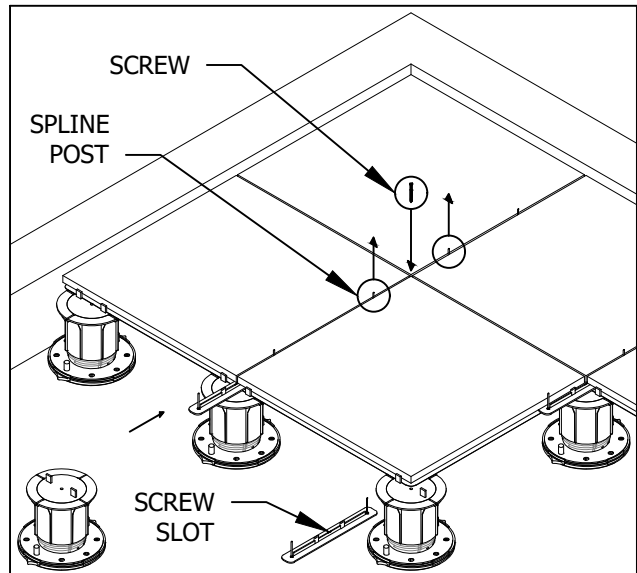
1. PLACE PEDESTALS AROUND PERIMETER AND REMOVE TABS AS NECESSARY.



2. PLACE PAVER TRAY ASSEMBLY ON TOP OF PEDESTALS.



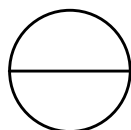
3. USING THE SPLINE POSTS, SLIDE FS-12 SPLINES INTO CHANNEL OVER PEDESTALS. PERIMETER SPLINES IN LINE WITH TRAY CHANNEL SHOULD BE CUT DOWN WITH A SAW AS NEEDED IN ORDER TO CENTER OVER EACH PEDESTAL.



4. SCREW SPLINES INTO CENTER OF PEDESTAL TOPS, AND REMOVE POSTS WITH PLIERS, TAKING CARE NOT TO DAMAGE THE PAVERS. (DO NOT ATTEMPT TO HAMMER THE POSTS)

**GENERAL NOTES:** APPLY TO ALL OF THE ABOVE PRODUCTS

1. INSTALLATION MUST BE COMPLETED IN ACCORDANCE WITH BISON INNOVATIVE PRODUCTS SPECIFICATIONS.
2. DRAWINGS NOT TO SCALE.
3. CONTRACTOR'S NOTE: FOR PRODUCT AND COMPANY INFORMATION VISIT [www.BisonIP.com](http://www.BisonIP.com)



## FS-12 SPLINE INSTALLATION

INSTALLING FS-12 SPLINES WITH PT-TRAYS